

X

## REPLACEMENT PARTS LIST

## Notes: \*Important safety notice:

Components identified by Δ mark have special characteristics important for safety.

Furthermore, special parts which have purposes of fire-retardant (resistors), high-quality sound (capacitors), low-noise (resistors), etc. are used.

When replacing any of components, be sure to use only manufacturer's specified parts shown in the parts list.

\*The parenthesized indications in the Remarks columns specify the areas. (Refer to the cover page for area.)

Parts without these indications can be used for all areas.

\*Remote Control Assy:

Supply period for three years from termination of production.

Ref. No.	Part No.	Part Name & Description	Remarks	Ref. No.	Part No.	Part Name & Description	Remarks
		INTEGRATED CIRCUIT(S)					
IC1	TA7358FMATEL	I. C. FM FRONT END		Q101, 102	2SJ40C07A	TRANSISTOR	
IC2	TA8132AFET	I. C. FM/AM IF AMP		Q103-105	UN4210-S	TRANSISTOR	
IC3	LM7001	I. C. PLL FREQ. SYNTHESIZER		Q107	2SC1740SLNET	TRANSISTOR	
IC301	M51167BFP-E1	I. C. P. B. EQ/REC AMP		Q108	2SJ40C07A	TRANSISTOR	
IC302	BA7755	I. C. R/P SELECT		Q109-111	UN4210-S	TRANSISTOR	
IC303	BU4066BF-E2	I. C. DECK 1/2 SELECT		Q201, 202	2SJ40C07A	TRANSISTOR	
IC304	CXA1102M-T4	I. C. DOLBY NR		Q203-205	UN4210-S	TRANSISTOR	
IC305	M50253P	I. C. SYSTEM CONTROL		Q207	2SC1740SLNET	TRANSISTOR	
IC601	MC14052BCP	I. C. INPUT SELECTOR		Q208	2SJ40C07A	TRANSISTOR	
IC602	MC74HC04AN	I. C. INPUT SELECTOR		Q209-211	UN4210-S	TRANSISTOR	
IC603	M50253P	I. C. SYSTEM CONTROL		Q301, 302	2SC2389SSTA	TRANSISTOR	
IC604	TA8173AP	I. C. SURROUND AMP		Q303	2SD1450RTA	TRANSISTOR	
IC605	XRA3932	I. C. POWER SUPPLY CONTROL	Δ	Q304, 305	UN4210-S	TRANSISTOR	
IC606	LA5605N	I. C. POWER SUPPLY CONTROL		Q306	2SC3311R	TRANSISTOR	
IC607	RE5RA50AA-T2	I. C. REGULATOR	Δ	Q307, 308	2SD1450RTA	TRANSISTOR	
IC608	LA4545N	I. C. POWER AMP		Q309	2SD865Q	TRANSISTOR	
IC609	TA2011S	I. C. MIC AMP		Q310	2SK381BCDTA	TRANSISTOR	
IC701	AN88025CE1V	I. C. SERVO AMP		Q311	2SD865Q	TRANSISTOR	
IC702	MN66271RA	I. C. SERVO PROCESSOR		Q312	UN4210-S	TRANSISTOR	
IC703	AN8389SE1	I. C. MOTOR DRIVE		Q313, 314	2SB1030QTA	TRANSISTOR	
IC790	TA7291S	I. C. MOTOR DRIVE		Q315, 316	UN4215	TRANSISTOR	
IC801	MND2410READ	I. C. SYSTEM CONTROL		Q318	2SK381BCDTA	TRANSISTOR	
IC802	S8053HB3-T	I. C. RESET		Q319-321	UN411FTA	TRANSISTOR	
IC805	BU2040F-T2	I. C. LED DRIVE		Q322	UN4214TA	TRANSISTOR	
IC951	DM6851ALB	I. C. HALL		Q324-328	2SC3311R	TRANSISTOR	
IC971	DM6851ALB	I. C. HALL		Q329	UN4215	TRANSISTOR	
IC3851	M51137FP-E1	I. C. ASP		Q330, 331	2SC3311R	TRANSISTOR	
IC4601	TA7291S	I. C. MOTOR DRIVE		Q332	UN4213	TRANSISTOR	
		TRANSISTOR(S)		Q333	UN4210-S	TRANSISTOR	
Q1, 2	2SC3313B	TRANSISTOR		Q401-404	2SC3311A1RTA	TRANSISTOR	
Q3	2SC2786LTA	TRANSISTOR		Q405	2SC3312RTA	TRANSISTOR	
Q4	2SC3311R	TRANSISTOR		Q406, 407	2SC3311A1STA	TRANSISTOR	
Q5, 6	RVTDA143KST	TRANSISTOR		Q408	2SC3311A1RTA	TRANSISTOR	
Q7-9	2SC3311R	TRANSISTOR		Q409	2SD1450RTA	TRANSISTOR	
Q10	2SC3311R	TRANSISTOR		Q410, 411	2SC3311A1RTA	TRANSISTOR	
Q11, 12	2SA1309R	TRANSISTOR		Q501-504	2SC3311A1RTA	TRANSISTOR	
Q13, 14	2SC3311R	TRANSISTOR		Q505	2SC3312RTA	TRANSISTOR	
Q15	RVTDA143KST	TRANSISTOR		Q506, 507	2SC3311A1STA	TRANSISTOR	
Q16	2SK361CTA	TRANSISTOR		Q508	2SC3311A1RTA	TRANSISTOR	
Q19	RVTDC114TST	TRANSISTOR		Q509	2SD1450RTA	TRANSISTOR	
Q20	RVTDA143KST	TRANSISTOR		Q510, 511	2SC3311A1RTA	TRANSISTOR	
				Q501	UN4111	TRANSISTOR	
				Q602	2SC3311A1RTA	TRANSISTOR	
				Q603	UN4111	TRANSISTOR	
				Q604	2SC3312RTA	TRANSISTOR	
				Q605	2SC3311A1RTA	TRANSISTOR	

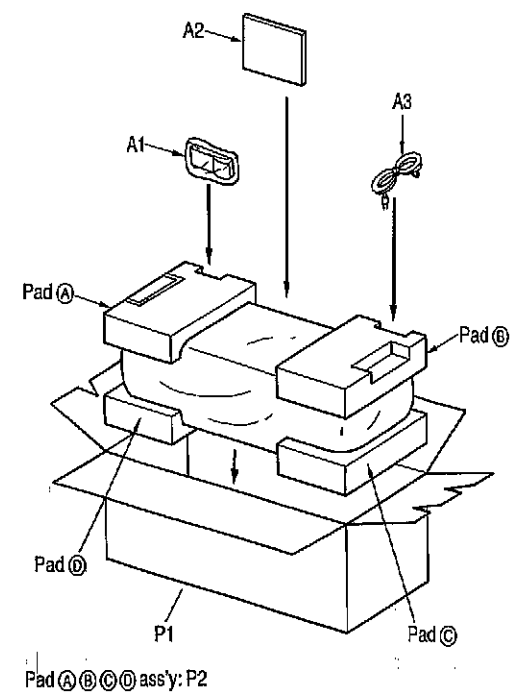
Ref. No.	Part No.	Part Name & Description	Remarks	Ref. No.	Part No.	Part Name & Description	Remarks
Q606	UN411FTA	TRANSISTOR		VR201	RRN6B05B24TA	V. R. DOLBY Rch	DECK1
Q609	RVTDA123JST	TRANSISTOR		VR202	RRN6B05B24TA	V. R. DOLBY Rch	DECK2
Q611	UN411FTA	TRANSISTOR		VR301	RRN6B05B14TA	V. R. TAPE SPEED HIGH	DECK2
Q612	UN4213	TRANSISTOR		VR302	RRN6B05B24TA	V. R. TAPE SPEED NORMAL	DECK2
Q613-616	RVTDA143JST	TRANSISTOR		VR303	RRN6B05B73TA	V. R. TAPE SPEED NORMAL	DECK1
Q617	UN4111	TRANSISTOR		VR701	EVNCKAA00B14	V. R. BEST EYE ADJ.	
Q618, 619	2SC3312RTA	TRANSISTOR				COMPONENT COMBINATION(S)	
Q701	2SB709S	TRANSISTOR		Z1	RRABPH66A	COMPONENT COMBINATION	
Q800-802	2SC3311R	TRANSISTOR		Z301-303	EXDF6L306SV	COMPONENT COMBINATION	
Q5001	UN421FTA	TRANSISTOR		Z601	RCDCP1U58YD	RECEIVER	
Q5002	RVTDA123JST	TRANSISTOR		Z800	RAT0009	BUZZER	
Q5003	UN4213	TRANSISTOR				COIL(S)	
Q5004	UN4113TA	TRANSISTOR		L3	RLQZP4R7KT-Y	COIL	
Q5005	UN4214TA	TRANSISTOR		L4	RLQ2B001-T	COIL	
Q5006	2SA1309A1RTA	TRANSISTOR		L5	RLV6C003-0	COIL	
		DIODE(S)		L7	RLQ9B18-M	COIL	
D1, 2	1SV14774MATU	DIODE		L8, 9	RLQZP221KT-Y	COIL	
D3	MA4051MTA	DIODE		L12	RLQ1B001-T	COIL	
D4	RVDKY1235ZB	DIODE		L15	RLQZP221KT-Y	COIL	
D5	MA4130M	DIODE		L17	RLQZP4R7KT-Y	COIL	
D6	MA165	DIODE		L102	RLM2B005-1M	COIL	
D10	MA165	DIODE		L202	RLM2B005-1M	COIL	
D301	MA165	DIODE		L301	RLQ6C002M-T	COIL	
D302	RVDMTZAR7BTA	DIODE		L302, 303	RLQZB470KT-D	COIL	
D303, 304	MA165	DIODE		L601	RLQZV101KT-D	COIL	
D601-609	MA165	DIODE		L602	RLQZB470KT-D	COIL	
D611-618	MA165	DIODE		L650, 651	RL1500050T-Y	COIL	Δ
D619	RVDMTZ6R8BTA	DIODE	Δ	L800-802	ELEXT2R2KA9	COIL	
D620, 621	MA165	DIODE		L806	ELEXT2R2KA9	COIL	
D623, 624	MA165	DIODE		L807	RL1500050T-Y	COIL	
D626, 627	MA165	DIODE		L823	ELEXT101KA9	COIL	
D630	RB441QT77	DIODE		L828	ELEXT2R2KA9	COIL	
D632	RVDMTZ6R8BTA	DIODE	Δ	L4601, 4602	RLQZV101KT-D	COIL	
D634	MA165	DIODE		L5001-5007	RL1500050T-Y	COIL	
D640	RVDMTZ6R8BTA	DIODE		L5008	RLQZB221KT-D	COIL	
D650-653	1R5402B-W21	DIODE	Δ	L5009, 5010	RLQZB101KT-D	COIL	
D655	ISS293TPE4	DIODE		L5011, 5012	RL1500050T-Y	COIL	
D681-685	LN051583P	LED				TRANSFORMER(S)	
D692	MA165	DIODE		T1	RL12B007-T	TRANSFORMER	
D800	MA4240H	DIODE		T650	RTP1L1B005	POWER TRANSFORMER	Δ
D801	MA165	DIODE				FILTER(S)	
D803	LN088584P	DIODE		CF1, 2	RLFFETMLA02D	CERAMIC FILTER	
D828	MA165	DIODE		CF3	RLFDFTA01D	CERAMIC FILTER	
D951	RVD1SS1337A	DIODE					
D971	RVD1SS1337A	DIODE					
		VARIABLE RESISTOR(S)					
VR101	RRN6B05B24TA	V. R. DOLBY Lch	DECK1				
VR102	RRN6B05B24TA	V. R. DOLBY Lch	DECK2				

Ref. No.	Part No.	Part Name & Description	Remarks	Ref. No.	Part No.	Part Name & Description	Remarks
		OSCILLATOR(S)		S953	RSHIA90YC-U	SW, TAPE SELECT (DECK1)	
				S971	RSHIA892D-U	SW, MODE DETECT (DECK2)	
X1	RSXZ456W01	OSCILLATOR		S972	RSHIA90YC-U	SW, HALF DETECT (DECK2)	
X2	RSXC7M20S03	OSCILLATOR		S973	RSHIA90YC-U	SW, R. REC 1MH (DECK2)	
X701	RSXZ16M0M02T	OSCILLATOR (16.934MHz)		S974	RSHIA90YC-U	SW, F. REC 1MH (DECK2)	
X801	RSXD32K7S03	OSCILLATOR		S975	RSHIA90YC-U	SW, ATS/CROZ (DECK2)	
X802	RVBOSA3R9MGT	OSCILLATOR		S976	RSHIA90YC-U	SW, ATS/METAL (DECK2)	
		SWITCH (CS)		S4601	RSHIA15-U	SW, TOP OPEN DETECT	
				S4602	RSHIA15-U	SW, TOP CLOSE DETECT	
						CONNECTOR(S)	
S650	RJJ1SE01-H	SW, AC/DC (JK650)	△	CW701	RJN035T016-1	SOCKET (16P)	
S681	EVQ21405R	SW, CD OPEN/CLOSE		CW702	RJSLA6723-1Q	SOCKET (23P)	
S682	EVQ21405R	SW, TOP OPEN/CLOSE		CP1	RJT028W008-2	CONNECTOR (8P)	
S683	EVQ21405R	SW, VOL (+)		CP11	RJT057W007-1	CONNECTOR (7P)	
S684	EVQ21405R	SW, VOL (-)		CP21	RJT057W006-1	CONNECTOR (6P)	
S685	EVQ21405R	SW, OPERATION		CP301	RJP5G18ZA	CONNECTOR (5P)	
S686	EVQ21405R	SW, CD STOP		CP302	SJTD413	CONNECTOR (4P)	
S687	EVQ21405R	SW, CD PLAY		CP307	RJT028W010-2	CONNECTOR (10)	
S688	EVQ21405R	SW, BAND		CP309	RJT028W009-2	CONNECTOR (9P)	
S689	EVQ21405R	SW, FWD PLAY		CP605	RJT060B08	CONNECTOR (8P)	
S690	EVQ21405R	SW, REV PLAY		CP650	RJT028W004	CONNECTOR (4P)	
S691	EVQ21405R	SW, TAPE STOP		CP651A	RTJ028W03V	CONNECTOR (3P)	
S692	EVQ21405R	SW, FWD FAST/TPS		CP651	RJT057W006-1	CONNECTOR (6P)	
S693	EVQ21405R	SW, REV FAST/TPS		CP652	RJT057W005-1	CONNECTOR (5P)	
S701	RSM006-P	SW, REST		CP681	RJT028W010-2	CONNECTOR (10P)	
S790	RSHIA005	SW, LOADING CLOSE DETECT		CP790	RJP6G17ZA	CONNECTOR (6P)	
S791	RSHIA005	SW, LOADING OPEN DETECT		CP3071	RJT057W010-1	CONNECTOR (10P)	
S800	EVQWPHF0512B	SW, AT JOG	X	CP3091	RJT057W009-1	CONNECTOR (9P)	
S801	EVQ21405R	SW, SET		CS2	RJT028W007-2	CONNECTOR (7P)	
S802	EVQ21405R	SW, CANCEL		CS12	RJU057W007	CONNECTOR (7P)	
S803	EVQ21409K	SW, TIMER/CLOCK		CS13	RJU028W008-1	CONNECTOR (8P)	
S804	EVQ21409K	SW, SLEEP		CS22	RJU057W006	CONNECTOR (6P)	
S805	EVQ21409K	SW, REC-TIMER		CS23	RJU028W007-1	CONNECTOR (7P)	
S806	EVQ21409K	SW, PLAY-TIMER		CS681	RJU028W010	CONNECTOR (10P)	
S807	EVQ21409K	SW, ATLS		CS800	RJSLA6823	CONNECTOR (23P)	
S808	EVQ21409K	SW, REC PAUSE		CS801	RJSLA6815	CONNECTOR (15P)	
S809	EVQ21409K	SW, AUX		CS3072	RJU057W010	CONNECTOR (10P)	
S810	EVQ21409K	SW, COUNT RESET		CS3073	RJU028W010	CONNECTOR (10P)	
S811	EVQ21409K	SW, REV MODE		CS3092	RJU057W009	CONNECTOR (9P)	
S812	EVQ21409K	SW, DECK1/2		CS3093	RJU028W009-1	CONNECTOR (9P)	
S813	EVQ21409K	SW, HIGH		CS3651	RJU057W008	CONNECTOR (8P)	
S814	EVQ21409K	SW, NORMAL		CS3652	RJU057W009	CONNECTOR (9P)	
S815	EVQ21409K	SW, T-SURROUND		CS4601	RJP6G17ZA	CONNECTOR (6P)	
S816	EVQ21409K	SW, BEEP		CS7021	RJSLA6323	CONNECTOR (23P)	
S817	EVQ21409K	SW, CD EDIT		CS8001	RJSLA6823	CONNECTOR (23P)	
S818	EVQ21409K	SW, DOLBY NR		CS8011	RJSLA6815	CONNECTOR (15P)	
S819	EVQ21409K	SW, RESET EQ		TP1	RJP361ZA	PLUG (3P)	
S823	EVQ21409K	SW, S-BDS LEVEL				TRIMMER	
S824	EVQ21409K	SW, TUNING MODE		CT1	RCV10AF1T-S	TRIMMER CAPACITOR	
S825	EVQ21409K	SW, TITLE					
S951	RSHIA892D-U	SW, MODE DETECT (DECK1)					
S952	RSHIA90YC-U	SW, HALF DETECT (DECK1)					

Ref. No.	Part No.	Part Name & Description	Remarks
CT2	ECRLAD20E53R	TRIMMER CAPACITOR	
		PACKING MATERIALS	
		IC PROTECTOR	
IP601	SRUN20T	IC PROTECTOR	△
IP602	RAIHCPN5TA	IC PROTECTOR	△
		DISPLAY	
LCD1	BSL5087-L	LCD	
		FUSE	
F650	XBA2C40TB0J	FUSE	△
FH601	EYF52BC	FUSE HOLDER	
FH602	EYF52BC	FUSE HOLDER	
		JACK	
JK601	RJJ1D25ZA-C	JACK, MIC	
JK602	RJH3401H-D	JACK, CD OUT/AUX IN	
JK603	RJJ3BT01-1H	JACK, HEADPHONES	
JK650	RJJ1SE01-H	JACK, AC IN (S650)	△

Ref. No.	Part No.	Part Name & Description	Remarks
		PACKING MATERIALS	
P1	RPGL590	GIFT BOX	(EE)
P1	RPGL534	GIFT BOX	(EE)
P2	RPW0568	PAD	
P3	RPW0099	PROTECTION COVER	
		ACCESSORIES	
A1	RAK-RX321W	REMOTE CONTROL	
A1-1	RKND020-H	BATTERY COVER	
A2	RQT1897-B	INSTRUCTION MANUAL	
A2	RQT1898-D	INSTRUCTION MANUAL	(EG)
A2	RQT1899-E	INSTRUCTION MANUAL	(EG)
A3	VJA0733	POWER CORD, AC	(EB)△
A3	RJA0019-2K	POWER CORD, AC	(EG)△

## ■ PACKAGING



Notes : \* Capacity value are in microfarads (uF) unless specified otherwise, P=Pico-farads (pF) F=Farads (F)  
 \* Resistance values are in ohms, unless specified otherwise, 1K=1,000 (Ohm) , 1M=1,000k (Ohm)

Ref. No.	Part No.	Values & Remarks	Ref. No.	Part No.	Values & Remarks	Ref. No.	Part No.	Values & Remarks
		RESISTORS						
R1-3	ERDS2TJ104	1/4W 100K	R113	ERDS2TJ332	1/4W 3.3K	R314	ERDS2TJ102	1/4W 1K
R4	ERDS2TJ470	1/4W 47	R115	ERDS2TJ225	1/4W 2.2M	R315	ERDS2TJ221	1/4W 220
R5	ERDS2TJ151	1/4W 150	R116	ERDS2TJ105T	1/4W 1M	R316	ERDS2TJ1R2	1/4W 1.2
R6	ERDS2TJ331	1/4W 330	R118	ERDS2TJ272T	1/4W 2.7K	R317	ERDS2TJ562	1/4W 5.6K
R7	ERDS2TJ391	1/4W 390	R119	ERDS2TJ103	1/4W 10K	R318	ERDS2TJ153	1/4W 15K
R8	ERDS2TJ274	1/4W 270K	R121	ERDS2TJ823T	1/4W 82K	R319	ERDS2TJ183T	1/4W 18K
R9	ERDS2TJ105T	1/4W 1M	R122	ERDS2TJ105T	1/4W 1M	R320	ERDS2TJ334	1/4W 330K
R10	ERDS2TJ561	1/4W 560	R123	ERDS2TJ221	1/4W 220	R321	ERDS2TJ221	1/4W 220
R11	ERDS2TJ330	1/4W 33	R124	ERDS2TJ104	1/4W 100K	R322	ERDS2TJ1R2	1/4W 1.2
R12	ERDS2TJ104	1/4W 100K	R125	ERDS2TJ102	1/4W 1K	R323	ERDS2TJ123	1/4W 12K
R13	ERDS2TJ470	1/4W 47	R126	ERDS2TJ222	1/4W 2.2K	R325	ERDS2TJ123	1/4W 12K
R15	ERDS2TJ391	1/4W 390	R127	ERDS2TJ153	1/4W 15K	R326	ERDS2TJ272T	1/4W 2.7K
R16	ERDS2TJ683	1/4W 68K	R128	ERDS2TJ104	1/4W 100K	R327	ERDS2TJ334	1/4W 330K
R17	ERDS2TJ104	1/4W 100K	R129	ERDS2TJ682T	1/4W 6.8K	R328	ERDS2TJ123	1/4W 12K
R18	ERDS2TJ103	1/4W 10K	R130	ERDS2TJ683	1/4W 68K	R329 Δ	ERD25FVJ180T	1/4W 18
R20	ERDS2TJ332	1/4W 3.3K	R202	ERDS2TJ123	1/4W 12K	R330	ERDS2TJ104	1/4W 100K
R21	ERDS2TJ562	1/4W 5.6K	R203	ERDS2TJ122	1/4W 1.2K	R331	ERDS2TJ332	1/4W 3.3K
R22	ERDS2TJ473	1/4W 47K	R205	ERDS2TJ330	1/4W 33	R332	ERDS2TJ474	1/4W 470K
R23	ERDS2TJ102	1/4W 1K	R206	ERDS2TJ392T	1/4W 3.9K	R333	ERDS2TJ472	1/4W 4.7K
R24	ERDS2TJ223	1/4W 22K	R207	ERDS2TJ682T	1/4W 6.8K	R334	ERDS2TJ102	1/4W 1K
R25	ERDS2TJ103	1/4W 10K	R208	ERDS2TJ222	1/4W 2.2K	R335, 336	ERDS2TJ472	1/4W 4.7K
R27	ERDS2TJ151	1/4W 150	R210	ERDS2TJ154	1/4W 150K	R338	ERDS2TJ103	1/4W 10K
R28, 29	ERDS2TJ471	1/4W 470	R211	ERDS2TJ473	1/4W 47K	R340	ERDS2TJ334	1/4W 330K
R30	ERDS2TJ104	1/4W 100K	R212	ERDS2TJ472	1/4W 4.7K	R341	ERDS2TJ681	1/4W 680
R31	ERDS2TJ222	1/4W 2.2K	R213	ERDS2TJ332	1/4W 3.3K	R342	ERDS2TJ433	1/4W 43K
R32	ERDS2TJ473	1/4W 47K	R215	ERDS2TJ225	1/4W 2.2M	R343	ERDS2TJ103	1/4W 10K
R33-38	ERDS2TJ103	1/4W 10K	R216	ERDS2TJ105T	1/4W 1M	R344	ERDS2TJ104	1/4W 100K
R39	ERDS2TJ102	1/4W 1K	R218	ERDS2TJ272T	1/4W 2.7K	R345, 346	ERDS2TJ472	1/4W 4.7K
R40	ERDS2TJ223	1/4W 22K	R219	ERDS2TJ103	1/4W 10K	R348, 349	ERDS2TJ472	1/4W 4.7K
R50, 51	ERDS2TJ103	1/4W 10K	R221	ERDS2TJ823T	1/4W 82K	R350	ERDS2TJ473	1/4W 47K
R52	ERDS2TJ102	1/4W 1K	R222	ERDS2TJ105T	1/4W 1M	R351	ERDS2TJ472	1/4W 4.7K
R55	ERDS2TJ103	1/4W 10K	R223	ERDS2TJ221	1/4W 220	R352, 353	ERDS2TJ473	1/4W 47K
R56	ERDS2TJ222	1/4W 2.2K	R224	ERDS2TJ104	1/4W 100K	R354	ERDS2TJ681	1/4W 680
R60	ERDS2TJ104	1/4W 100K	R225	ERDS2TJ102	1/4W 1K	R355	ERDS2TJ473	1/4W 47K
R61	ERDS2TJ332	1/4W 3.3K	R226	ERDS2TJ222	1/4W 2.2K	R356	ERDS2TJ335T	1/4W 3.3M
R62, 63	ERDS2TJ681	1/4W 680	R227	ERDS2TJ153	1/4W 15K	R357	ERDS2TJ222	1/4W 2.2K
R71	ERDS2TJ274	1/4W 270K	R228	ERDS2TJ104	1/4W 100K	R358	ERDS2TJ472	1/4W 4.7K
R102	ERDS2TJ123	1/4W 12K	R229	ERDS2TJ682T	1/4W 6.8K	R360	ERDS2TJ102	1/4W 1K
R103	ERDS2TJ122	1/4W 1.2K	R230	ERDS2TJ683	1/4W 68K	R361, 362	ERDS2TJ104	1/4W 100K
R105	ERDS2TJ330	1/4W 33	R301	ERDS2TJ334	1/4W 330K	R363	ERDS2TJ183T	1/4W 18K
R106	ERDS2TJ392T	1/4W 3.9K	R302	ERDS2TJ102	1/4W 1K	R364	ERDS2TJ104	1/4W 100K
R107	ERDS2TJ682T	1/4W 6.8K	R303	ERDS2TJ103	1/4W 10K	R365	ERDS2TJ222	1/4W 2.2K
R108	ERDS2TJ222	1/4W 2.2K	R304, 305	ERDS2TJ102	1/4W 1K	R366	ERDS2TJ103	1/4W 10K
R110	ERDS2TJ154	1/4W 150K	R306, 307	ERDS2TJ472	1/4W 4.7K	R367	ERDS2TJ820	1/4W 82
R111	ERDS2TJ473	1/4W 47K	R308	ERDS2TJ822	1/4W 8.2K	R368	ERDS2TJ180T	1/4W 18
R112	ERDS2TJ472	1/4W 4.7K	R309	ERDS2TJ1R2	1/4W 1.2	R369	ERD25FVJ180	1/4W 18
			R310	ERDS2TJ103	1/4W 10K	R401	ERDS2TJ563	1/4W 56K
			R311, 312	ERDS2TJ472	1/4W 4.7K	R402	ERDS2TJ103	1/4W 10K
			R313	ERDS2TJ332	1/4W 3.3K	R403	ERDS2TJ104	1/4W 100K

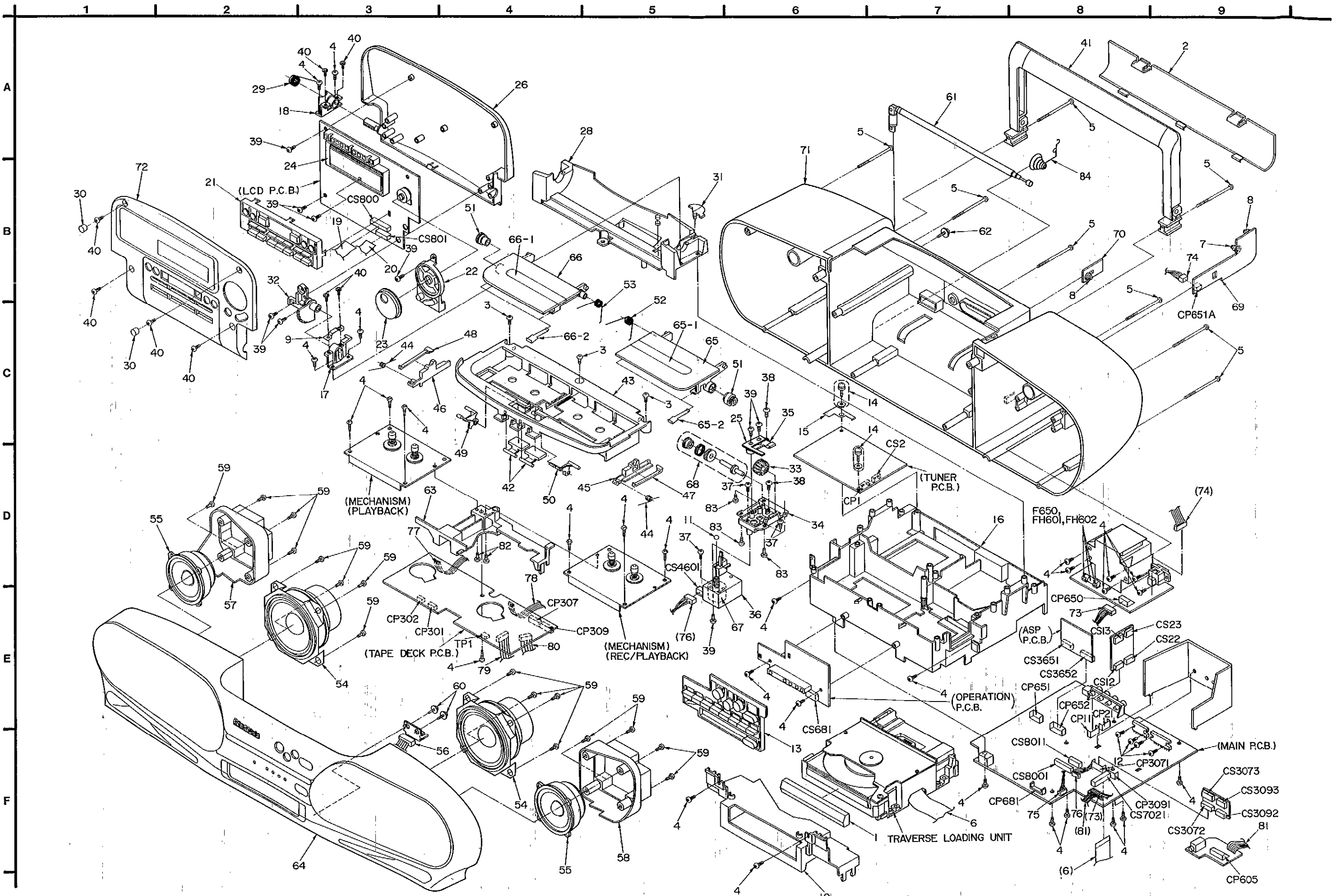
Ref. No.	Part No.	Values & Remarks	Ref. No.	Part No.	Values & Remarks	Ref. No.	Part No.	Values & Remarks
R404	ERDS2TJ473	1/4W 47K	R524	ERDS2TJ471	1/4W 470	R666	ERDS2TJ472	1/4W 4.7K
R405	ERDS2TJ393	1/4W 39K	R525	ERDS2TJ103	1/4W 10K	R667	ERDS2TJ105T	1/4W 1M
R406	ERDS2TJ563	1/4W 56K	R526	ERDS2TJ153	1/4W 15K	R668	ERDS2TJ471	1/4W 470
R407	ERDS2TJ103	1/4W 10K	R527, 528	ERK1SJR47E	1W 0.47	R670	ERDS2TJ102	1/4W 1K
R408	ERDS2TJ823T	1/4W 82K	R529	ERDS2TJ472	1/4W 4.7K	R671	ERDS2TJ821	1/4W 820
R409, 410	ERDS2TJ473	1/4W 47K	R530	ERDS2TJ104	1/4W 100K	R672	ERDS2TJ102	1/4W 1K
R411	ERDS2TJ153	1/4W 15K	R531	ERDS2TJ562	1/4W 5.6K	R673	ERDS2TJ103	1/4W 10K
R412	ERDS2TJ393	1/4W 39K	R532	ERDS2TJ152	1/4W 1.5K	R674	ERDS2TJ472	1/4W 4.7K
R413	ERDS2TJ824	1/4W 820K	R533, 534	ERDS2TJ102	1/4W 1K	R675	ERDS2TJ103	1/4W 10K
R414	ERDS2TJ562	1/4W 5.6K	R537	ERDS2TJ331	1/4W 330	R676	ERDS2TJ332	1/4W 3.3K
R415	ERDS2TJ681	1/4W 680	R538	ERDS2TJ391	1/4W 390	R679	ERDS2TJ102	1/4W 1K
R417	ERDS2TJ102	1/4W 1K	R539	ERDS2TJ681	1/4W 680	R680	ERDS2TJ332	1/4W 3.3K
R418	ERDS2TJ473	1/4W 47K	R542	ERDS2TJ222	1/4W 2.2K	R682	ERDS2TJ151	1/4W 150
R419	ERDS2TJ102	1/4W 1K	R601	ERDS2TJ472	1/4W 4.7K	R683	ERDS2TJ392T	1/4W 3.9K
R420	ERDS2TJ222	1/4W 2.2K	R604	ERDS2TJ102	1/4W 1K	R684	ERDS2TJ562	1/4W 5.6K
R421	ERDS2TJ682T	1/4W 6.8K	R605, 606	ERDS2TJ103	1/4W 10K	R685	ERDS2TJ822	1/4W 8.2K
R422	ERDS2TJ472	1/4W 4.7K	R607	ERDS2TJ393	1/4W 39K	R686	ERDS2TJ153	1/4W 15K
R423	ERDS2TJ331	1/4W 330	R608, 609	ERDS2TJ104	1/4W 100K	R687	ERDS2TJ333	1/4W 33K
R424	ERDS2TJ471	1/4W 470	R610	ERDS2TJ223	1/4W 22K	R688	ERDS2TJ272T	1/4W 2.7K
R425	ERDS2TJ103	1/4W 10K	R611	ERDS2TJ152	1/4W 1.5K	R689	ERDS2TJ222	1/4W 2.2K
R426	ERDS2TJ153	1/4W 15K	R612	ERDS2TJ682T	1/4W 6.8K	R690	ERDS2TJ392T	1/4W 3.9K
R427, 428	ERK1SJR47E	1W 0.47	R613	ERDS2TJ222	1/4W 2.2K	R691	ERDS2TJ562	1/4W 5.6K
R429	ERDS2TJ472	1/4W 4.7K	R614	ERDS2TJ272T	1/4W 2.7K	R692	ERDS2TJ822	1/4W 8.2K
R430	ERDS2TJ104	1/4W 100K	R615-617	ERDS2TJ103	1/4W 10K	R693	ERDS2TJ153	1/4W 15K
R431	ERDS2TJ562	1/4W 5.6K	R618, 619	ERDS2TJ102	1/4W 1K	R694	ERDS2TJ333	1/4W 33K
R432	ERDS2TJ152	1/4W 1.5K	R620-625	ERDS2TJ103	1/4W 10K	R695	ERDS2TJ823T	1/4W 82K
R433, 434	ERDS2TJ102	1/4W 1K	R626	ERDS2TJ101	1/4W 100	R701	ERJ6GEYJ100	1/10W 10
R437	ERDS2TJ331	1/4W 330	R627	ERDS2TJ332	1/4W 3.3K	R702	ERJ6GEYJ471V	1/10W 470
R438	ERDS2TJ391	1/4W 390	R628	ERDS2TJ472	1/4W 4.7K	R703	ERJ6GEYJ823	1/10W 82K
R439	ERDS2TJ681	1/4W 680	R629	ERDS2TJ334	1/4W 330K	R704	ERJ6GEYJ102A	1/10W 1K
R442	ERDS2TJ222	1/4W 2.2K	R630	ERDS2TJ104	1/4W 100K	R705	ERJ6GEYJ103V	1/10W 10K
R501	ERDS2TJ563	1/4W 56K	R631	ERDS2TJ474	1/4W 470K	R706	ERJ6GEYJ102A	1/10W 1K
R502	ERDS2TJ103	1/4W 10K	R633	ERDS2TJ105T	1/4W 1.5	R707	ERJ6GEYJ473V	1/10W 47K
R503	ERDS2TJ104	1/4W 100K	R634	ERDS2TJ273	1/4W 27K	R708	ERJ6GEYJ224V	1/10W 220K
R504	ERDS2TJ473	1/4W 47K	R636	ERDS2TJ103	1/4W 10K	R709	ERJ6GEYJ683V	1/10W 68K
R505	ERDS2TJ393	1/4W 39K	R638	ERDS2TJ472	1/4W 4.7K	R711	ERJ6GEYJ154V	1/10W 150K
R506	ERDS2TJ563	1/4W 56K	R639	ERDS2TJ333	1/4W 33K	R712	ERJ6GEYJ471V	1/10W 470
R507	ERDS2TJ103	1/4W 10K	R640, 641	ERDS2TJ102	1/4W 1K	R714	ERJ6GEYJ000A	1/10W 0.00
R508	ERDS2TJ823T	1/4W 82K	R643	ERDS2TJ472	1/4W 4.7K	R717	ERJ6GEYJ102A	1/10W 1K
R509, 510	ERDS2TJ473	1/4W 47K	R644-649	ERDS2TJ103	1/4W 10K	R718	ERJ6GEYJ102A	1/10W 1K
R511	ERDS2TJ153	1/4W 15K	R650, 651	ERDS2TJ102	1/4W 1K	R719	ERJ6GEYJ102A	1/10W 1K
R512	ERDS2TJ393	1/4W 39K	R652, 653	ERDS2TJ474	1/4W 470K	R720	ERJ6GEYJ102A	1/10W 1K
R513	ERDS2TJ824	1/4W 820K	R655	ERDS2TJ472	1/4W 4.7K	R721	ERJ6GEYJ101V	1/10W 100
R514	ERDS2TJ562	1/4W 5.6K	R656	ERDS2TJ474	1/4W 470K	R722	ERJ6GEYJ473V	1/10W 47K
R515	ERDS2TJ681	1/4W 680	R657	ERDS2TJ152	1/4W 1.5K	R723	ERJ6GEYJ182V	1/10W 1.8K
R517	ERDS2TJ102	1/4W 1K	R658	ERDS2TJ472	1/4W 4.7K	R724	ERJ6GEYJ333V	1/10W 33K
R518	ERDS2TJ473	1/4W 47K	R659	ERDS2TJ101	1/4W 100	R725	ERJ6GEYJ472V	1/10W 4.7K
R519	ERDS2TJ102	1/4W 1K	R660	ERDS2TJ472	1/4W 4.7K	R726	ERJ6GEYJ473V	1/10W 47K
R520	ERDS2TJ222	1/4W 2.2K	R661	ERDS2TJ222	1/4W 2.2K	R727	ERJ6GEYJ103V	1/10W 10K
R521	ERDS2TJ682T	1/4W 6.8K	R662	ERDS2TJ102	1/4W 1K	R728	ERJ6GEYJ392V	1/10W 3.9K



Ref. No.	Part No.	Values & Remarks	Ref. No.	Part No.	Values & Remarks	Ref. No.	Part No.	Values & Remarks
C712	ECUZ1E104MBN	25V 0.1U	C867, 868	ECBT1H151KB5	50V 150P	RJ711	ERJ8GEYOR00A	1/10W 0
C713	ECUV1C104MBM	16V 0.1U	C872	ECBT1H561KB5	50V 560P	RJ712	ERJ8GEYOR00A	1/10W 0
C714	ECEAOJKA101I	6.3V 100U	C876, 877	ECBT1H561KB5	50V 560P	RJ713	ERJ8GEYOR00A	1/10W 0
C715	ECEAOJKA470I	6.3V 47U	C894	ECBT1H470J5	50V 47P	RJ714	ERJ8GEYOR00A	1/10W 0
C716	ECUE1H561KBN	50V 560P	C895	ECBT1H102KB5	50V 1000P	RJ715	ERJ8GEYOR00A	1/10W 0
C717	ECUZ1E104MBN	25V 0.1U	C951	ECBT1H101KB5	50V 100P	RJ716	ERJ8GEYOR00A	1/10W 0
C718	ECUV1C224KBM	16V 0.22U	C971	ECBT1H101KB5	50V 100P	RJ717	ERJ8GEYOR00A	1/10W 0
C719	ECUV1C224KBM	16V 0.22U	C3452, 3453	ECEA1CK100B	16V 10U	RJ721	ERJ8GEYOR00A	1/10W 0
C721	ECUE1H100DCN	50V 10P	C3454	ECBT1C222MR5	16V 2200P	RJ722	ERJ8GEYOR00A	1/10W 0
C722	ECUE1H100DCN	50V 10P	C3455, 3456	ECFR1C333KR	16V 0.033U	RJ724	ERJ8GEYOR00A	1/10W 0
C723	ECEA1AKA221I	10V 220U	C3457	ECEA1CK100B	16V 10U	RJ725	ERJ8GEYOR00A	1/10W 0
C724	ECUV1C104MBM	16V 0.1U	C3458	ECEA1HKR33	50V 0.33U	RJ726	ERJ8GEYOR00A	1/10W 0
C725	ECUE1H102KBN	50V 1000P	C3459	ECEA1HKAR15B	50V 0.15U			
C726	ECUE1H102KBN	50V 1000P	C3460	ECEA1HK010B	50V 1U			TEST JUMPER(S)
C727	ECEA1HKA010I	50V 1U	C3461	ECEA1EK4R7	25V 4.7U			
C728	ECEA1HKA010I	50V 1U	C3462	ECEA1CK100B	16V 10U	TJ701	RRJ8GET001H	TEST JUMPER
C730	ECUZ1E104MBN	25V 0.1U	C3463	ECEA1EK4R7	25V 4.7U	TJ702	RRJ8GET001H	TEST JUMPER
C731	ECA05SD151I	6.3V 150U	C3464	ECBT1H101KB5	50V 100P			
C732	ECA05SD151I	6.3V 150U	C3465	ECBT1C103MS5	16V 0.01U			
C733	ECUZ1E104MBN	25V 0.1U	C3552, 3553	ECEA1CK100B	16V 10U			
C734	ECEA1AKA221I	10V 220U	C3554	ECBT1C222MR5	16V 2200P			
C735	ECUZNE104MBN	25V 0.1U	C3555, 3556	ECFR1C333KR	16V 0.033U			
C736	ECUZNE104MBN	25V 0.1U	C3557	ECEA1CK100B	16V 10U			
C737	ECUZNE104MBN	25V 0.1U	C3558	ECEA1HKR33	50V 0.33U			
C738	ECUV1C154KBN	16V 0.15U	C3559	ECEA1HKAR15B	50V 0.15U			
C742	ECUV1E273KBN	25V 0.027U	C3560	ECEA1HK010B	50V 1U			
C743	ECUZNE104MBN	25V 0.1U	C3561	ECEA1EK4R7	25V 4.7U			
C744	ECUE1E822KBN	25V 8200P	C3562	ECEA1CK100B	16V 10U			
C745	ECUE1C473MBN	16V 0.047U	C3563	ECEA1EK4R7	25V 4.7U			
C746	ECUE1H050DCN	50V 5P	C3564	ECBT1H101KB5	50V 100P			
C747	ECUE1H222KBN	50V 2200P	C3565	ECBT1C103MS5	16V 0.01U			
C748	ECUV1H271KBM	50V 270P	C3651, 3652	ECEA1CK100B	16V 10U			
C790	ECEA1AKF820E	10V 82U	C3653	ECEA1EK4R7	25V 4.7U			
C801	ECBT1H102KB5	50V 1000P	C3654	ECEA1AK101	10V 100U			
C802	ECEAOJK101	6.3V 100U	C4601	ECEA1AJ101	10V 100U			
C803	ECBT1H102KB5	50V 1000P	C4602	ECKD1H561KB5	50V 560P			
C804	ECA1AKF820B	10V 82U	C5001	ECEAOJU101B	6.3V 100U			
C805, 806	ECBT1H101KB5	50V 100P	C5002, 5003	ECBT1C103MS5	16V 0.01U			
C807, 808	ECBT1C103MS5	16V 0.01U	C5004, 5005	ECBT1H102KB5	50V 1000P			
C809, 810	ECBT1H220JC5	50V 22P						
C811	ECEAOJK470	6.3V 47U			CHIP JUMPERS			
C812	ECBT1H151KB5	50V 150P						
C813, 814	ECBT1H561KB5	50V 560P	RJ701	ERJ8GEYOR00A	1/10W 0			
C830	ECEA1EK4R7	25V 4.7U	RJ702	ERJ8GEYOR00A	1/10W 0			
C844, 845	ECBT1C103MS5	16V 0.01U	RJ703	ERJ8GEYOR00A	1/10W 0			
C851	ECBT1H561KB5	50V 560P	RJ704	ERJ8GEYOR00A	1/10W 0			
C852	ECBT1C103MS5	16V 0.01U	RJ705	ERJ8GEYOR00A	1/10W 0			
C853	ECEA1HK010B	50V 1U	RJ706	ERJ8GEYOR00A	1/10W 0			
C854	ECBT1H820KB5	50V 82P	RJ707	ERJ8GEYOR00A	1/10W 0			
C855, 856	ECBT1H102KB5	50V 1000P	RJ708	ERJ8GEYOR00A	1/10W 0			
C858	ECBT1H102KB5	50V 1000P	RJ709	ERJ8GEYOR00A	1/10W 0			
C860	ECBT1H561KB5	50V 560P	RJ710	ERJ8GEYOR00A	1/10W 0			

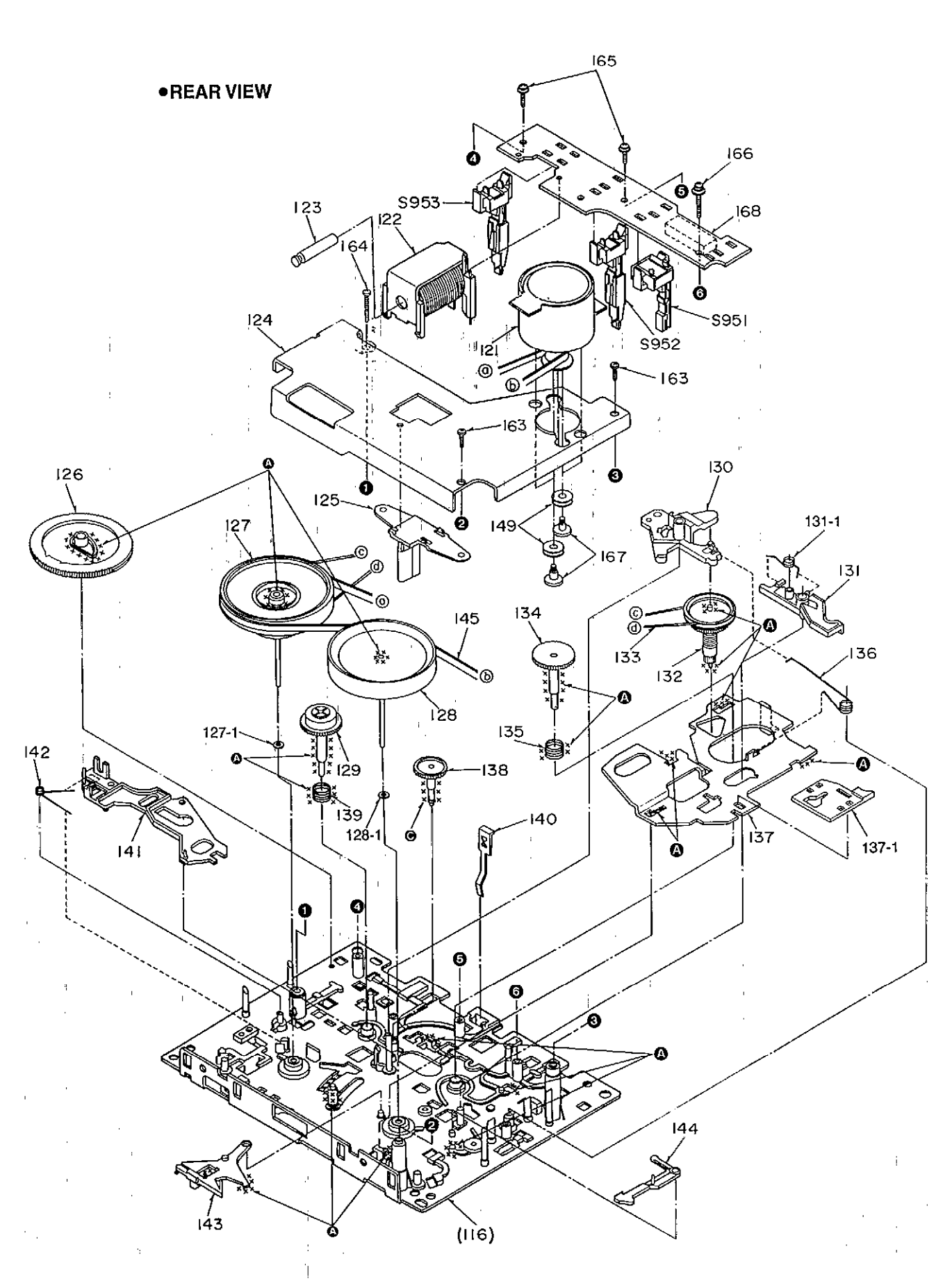
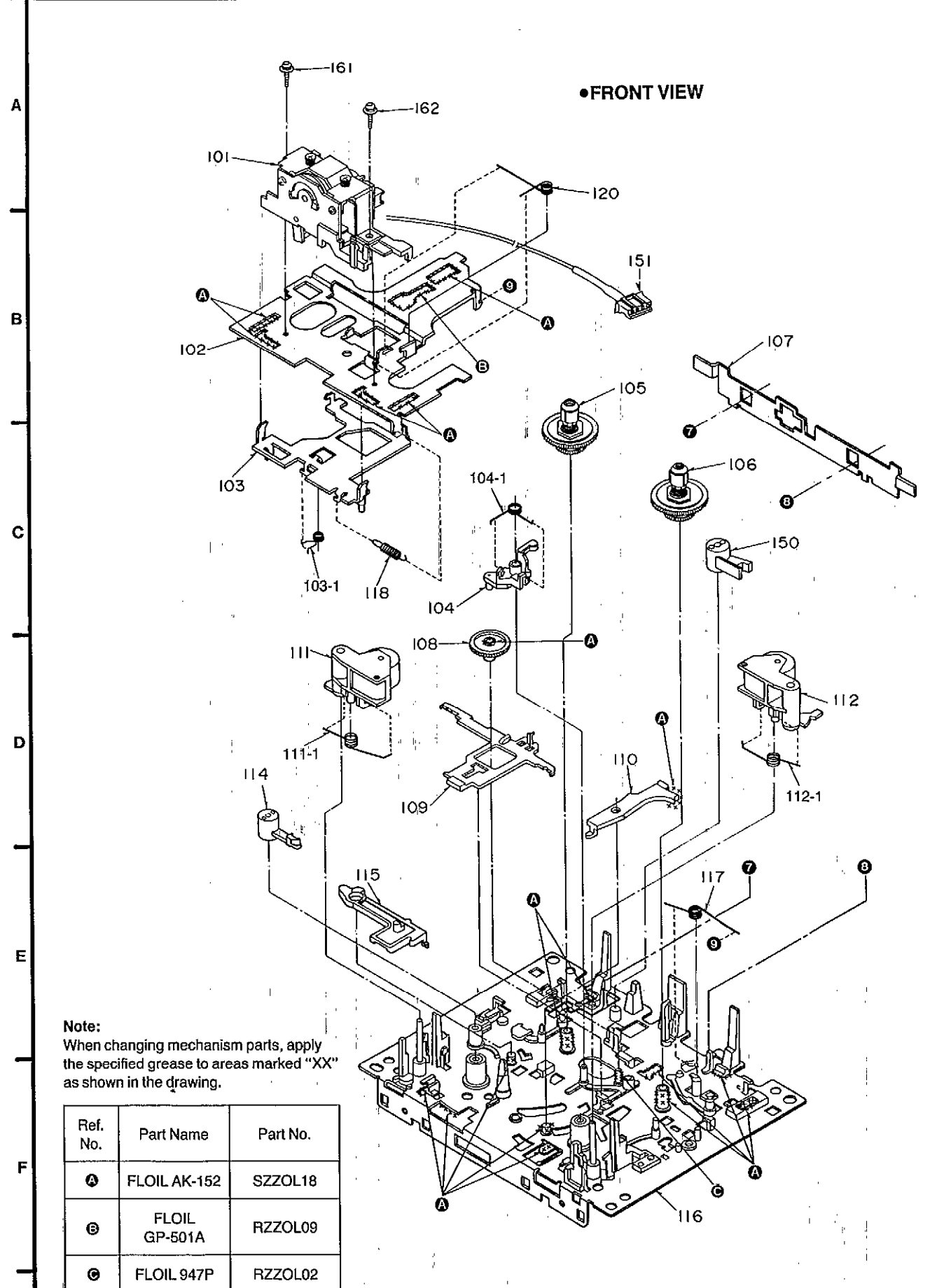
Ref. No.	Part No.	Part Name & Description	Remarks	Ref. No.	Part No.	Part Name & Description	Remarks
		CABINET PARTS					
1	RGK0435-K	CD TRAY COVER		51	RDG0183	GEAR	
2	RKK0041-K	BATTERY COVER		52	RME0099	SPRING	
3	XTV3+12GFZ	SCREW		53	RME0100	SPRING	
4	XTV3+12G	SCREW		54	EAS10PL478B	SPEAKER (WOOFER)	
5	XTV3+60G	SCREW		55	EAS8PH64A	SPEAKER (TWEETER)	
6	REE0447	FPC(23P)		56	REX0404Y	CABLE ASS' Y	
7	RJC5112B	BATTERY TERMINAL (-)		57	RKPO021	SPEAKER COVER (L)	
8	RJC7512A	BATTERY TERMINAL (-), BACK-UP		58	RKPO022	SPEAKER COVER (R)	
9	RMCO161	HOLDER (SPRING)		59	XTV3+10G	SCREW	
10	RMKO140	HOLDER		60	XTW3+W10P	SCREW	
11	RDB0050	STEEL BALL		61	XEARR225CA-Y	TELESCOPIC ANTENNA	
12	XTV3+10F	SCREW		62	XYN3+F12FY	SCREW	
13	RGU0710B-K	BUTTON, FRONT PANEL		63	RMKO059-3	CHASSIS	
14	RHD30006	SCREW		64	RFKXDT707EA	FRONT CABINET ASS' Y	
15	RJRO082	ANTENNA TERMINAL		65	RFKLXDT707AK	CASSETTE HOLDER ASS' Y	DECK 2
16	RMKO139B	CHASSIS		65-1	RGPO245-Q	PANEL (R)	
17	RDB0043A	HOLDER (R)		65-2	RUS7577A	SPRING	
18	RDB0044	HOLDER (L)		66	RFKLXDT707BK	CASSETTE HOLDER ASS' Y	DECK 1
19	REE0361-2	FPC(23P)		66-1	RGPO246-Q	PANEL (L)	
20	REE0362-1	FPC(15P)		66-2	RUS7577A	SPRING	
21	RGU0708-K	BUTTON, TOP PANEL		67	RFKXDT707K	MOTOR ASS' Y	
22	RGU0709-K	BUTTON, CANCEL/SET		68	RFKXDT707K	GEAR ASS' Y	
23	RGW0135-K	KNOB, AI JOG		69	RFKXDT707AK	P. C. B.	
24	RMNO152	LCD HOLDER		70	RFKXDT707BK	P. C. B.	
25	RMCO159-1	LEAF SPRING		71	RFKXDT707BK	REAR CABINET ASS' Y	(EB)
26	RKF0246C-K	TOP PANEL (OUTER)		71	RFKXDT707GK	REAR CABINET ASS' Y	(EG)
28	RKQ0099-K	HOLDER		72	RFKXDT707PB	TOP PANEL ASS' Y	
29	RMBO218A	SPRING		73	REX0495	CABLE ASS' Y (CW650)	
30	RMG0249-K	RUBBER		74	REX0504	CABLE HOLDER (CW653)	
31	RMRO499	LOCK PIECE		75	REX0408Y	CABLE ASS' Y (CW790)	
32	RMS0330	GEAR		76	REX0408Y	CABLE ASS' Y (CW4601)	
33	RDG0181	GEAR		77	RWJ1107075QQ	FLAT CABLE (W303)	
34	RMKO138	CHASSIS		78	RWJ1110075QQ	FLAT CABLE (W304)	
35	RMRO498	HOLDER		79	RWJ4704215KR	FLAT CABLE (W305)	
36	RSC0241	SHIELD PLATE		80	RWJ4704105KR	FLAT CABLE (W306)	
37	XQN2+C3	SCREW		81	RWJ1109100QQ	FLAT CABLE (W604)	
38	XTV26+12F	SCREW		82	XTV26+8G	SCREW	
39	XTV26+8G	SCREW		83	XTV26+10GFZ	SCREW	
40	XTN26+8GFZ	SCREW		84	RJC9312C	BATTERY TERMINAL (+/-)	
41	RYH0007-K	HANDLE ASS' Y					
42	RGU0706-K	BUTTON, EJECT					
43	RKQ0098-K	PANEL					
44	RME0101	SPRING					
45	RML0234	LEVER					
46	RML0235	LEVER					
47	RML0236	LEVER					
48	RML0237	LEVER					
49	RML0238	LEVER					
50	RML0239	LEVER					

■ CABINET PARTS LOCATION





MECHANISM PARTS LOCATION •DECK 1 (PLAYBACK)





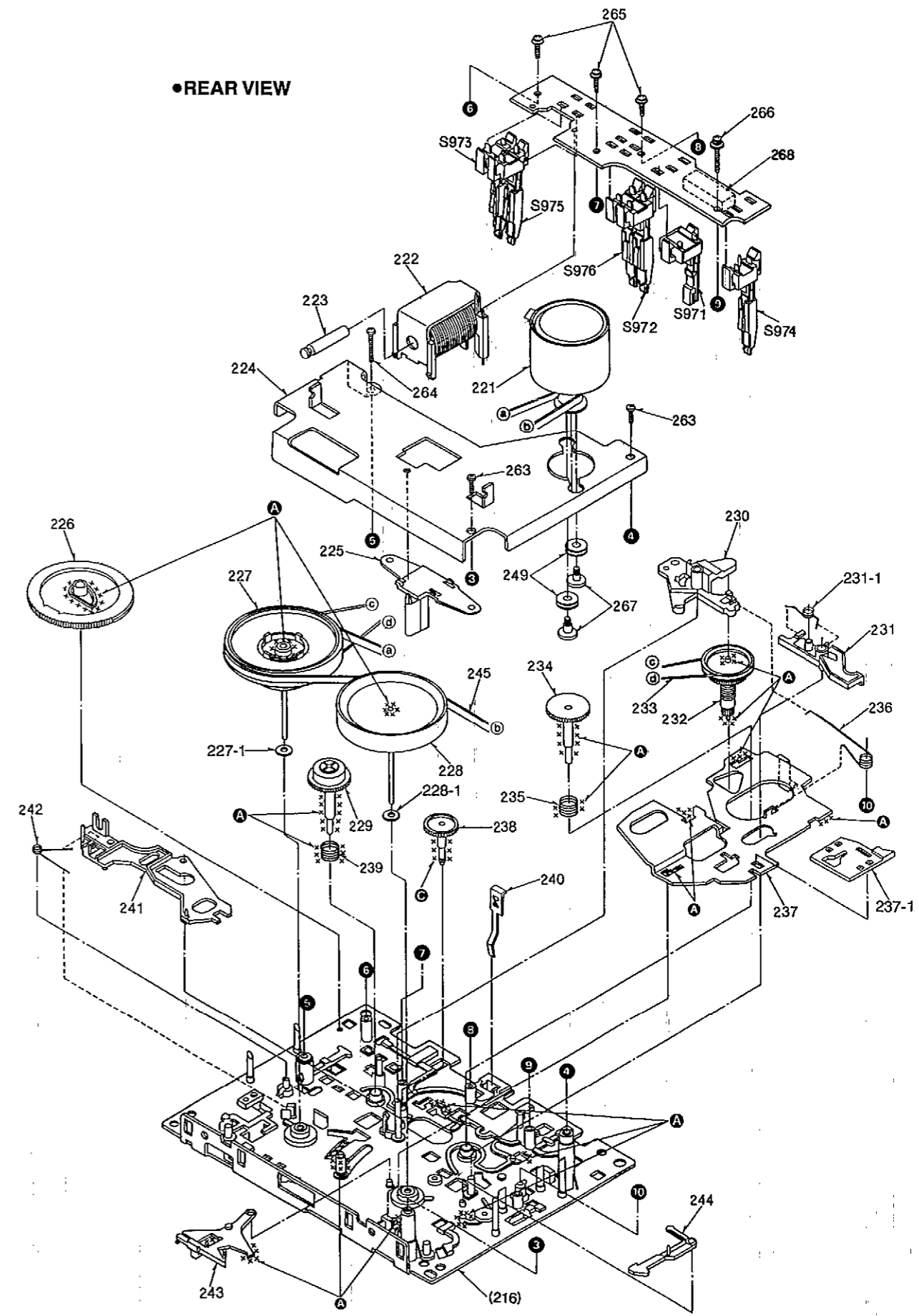
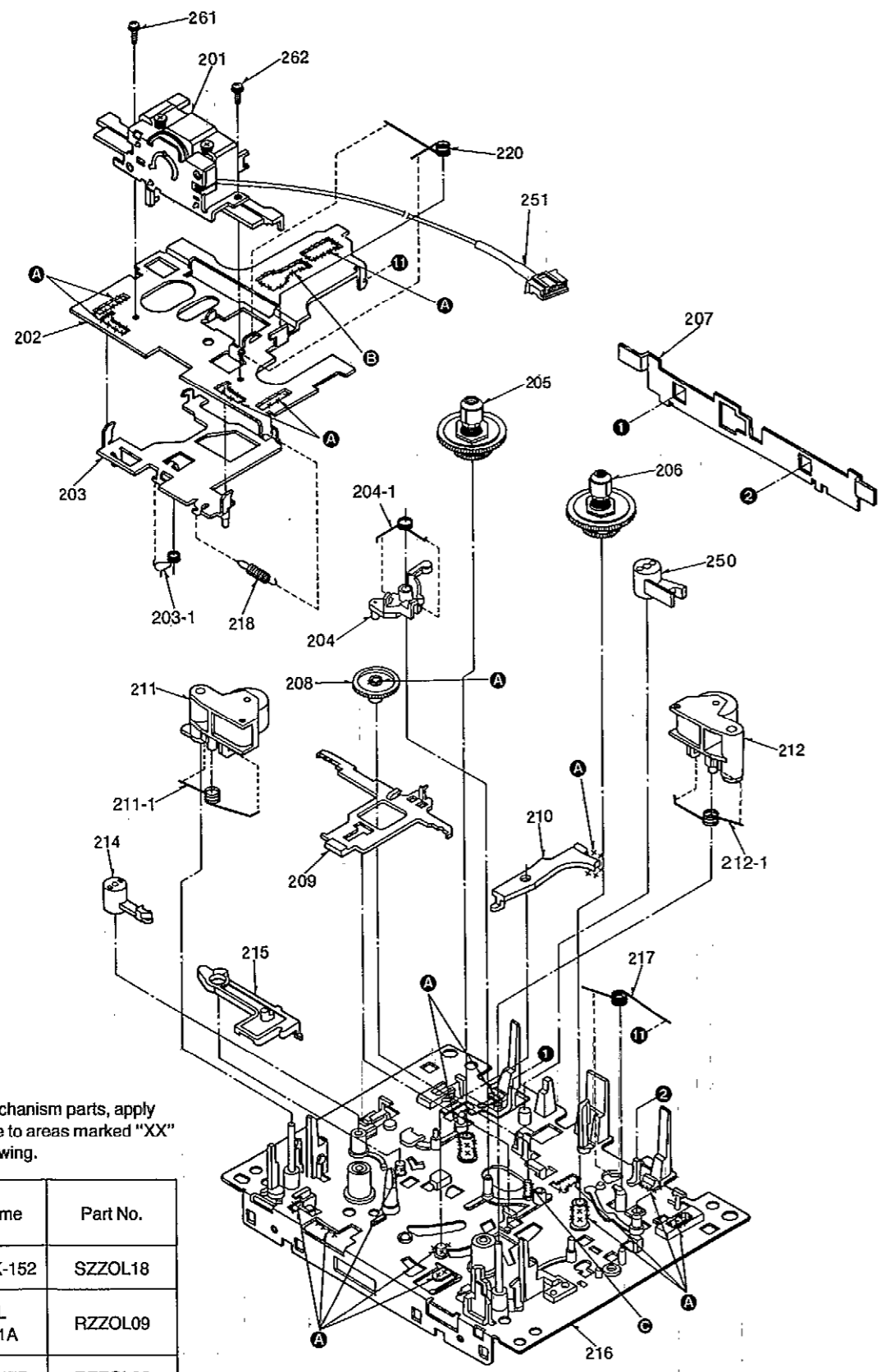
MECHANISM PARTS LOCATION •DECK 2 (RECORD/PLAYBACK)

1 2 3 4 5 6 7 8 9

A  
B  
C  
D  
E  
F

•FRONT VIEW

•REAR VIEW



**Note:**  
When changing mechanism parts, apply the specified grease to areas marked "XX" as shown in the drawing.

Ref. No.	Part Name	Part No.
A	FLOIL AK-152	SZZOL18
B	FLOIL GP-501A	RZZOL09
C	FLOIL 947P	RZZOL02

Ref. No.	Part No.	Part Name & Description	Remarks	Ref. No.	Part No.	Part Name & Description	Remarks
		MECHANISM PARTS		141	RUB514ZC	LEVER	
		DECK 1 (P. B)		142	RUW147ZA	SPRING	
101	RXQ0051-2	HEAD ASS' Y		143	RUB515ZA	LEVER	
101-1	RHE5152ZB	SCREW		144	RUB509ZA	LEVER	
101-2	RUQ90ZC	SPRING		145	RDV108ZA	BELT	
102	RJA793ZF	HEAD BASE		149	RMG0102-1	RUBBER	
103	RZLAR300	LEVER ASS' Y		150	RNL180ZB	LEVER	
103-1	RUW143ZA	SPRING		151	REX0308	CABLE ASS' Y	
104	1UB0089ZA	ARM ASS' Y		161	XTW2+6L	SCREW	
104-1	RUW148ZA	SPRING		163	XTN26+7J	SCREW	
105	1DM0018ZB	REEL TABLE ASS' Y		164	RHE5203ZA	SCREW	
106	1DM0017ZB	REEL TABLE ASS' Y		165	XTW2+8S	SCREW	
107	RML0069-1	LEVER		166	XYC2+JF16	SCREW	
108	RDG5772ZC	GEAR		167	RHD26002	SCREW	
109	RUB508ZB	LEVER		168	RJS7T7ZA	CONNECTOR(J951)	
110	RUB506ZB	LEVER				DECK 2 (R/P)	
111	1UB0088ZB	PINCH ROLLER ASS' Y		201	RXQ0007-2	HEAD ASS' Y	
111-1	RMB0310	SPRING		201-1	RHE5152ZB	SCREW	
112	1UB0087ZB	PINCH ROLLER ASS' Y		201-2	RUQ90ZC	SPRING	
112A	RUW140ZC	SPRING		202	RJA793ZF	CHASSIS	
114	RNL1ZD	ARM		203	RZLAR300	LEVER ASS' Y	
115	RUB503ZD	LEVER		203-1	RUW143ZA	SPRING	
116	RFKRAA0320	CHASSIS ASS' Y		204	1UB0089ZA	LEVER ASS' Y	
117	RUW142ZA	SPRING		204-1	RUW148ZA	LEVER	
118	RUD105ZA	SPRING		205	1DM0018ZB	REEL TABLE ASS' Y	
120	RUW139ZA	SPRING		206	1DM0017ZB	REEL TABLE ASS' Y	
121	RFKPA0309	MOTOR ASS' Y		207	RML0069-1	LEVER	
122	1UE0015ZA	PLUNGER		208	RDG5772ZC	GEAR	
123	RUB428ZE	SHAFT		209	RUB508ZB	LEVER	
124	RUL1030YA	PLATE		210	RUB506ZB	LEVER	
125	RMD5014ZC	SPACER		211	1UB0088ZB	PINCH ROLLER ASS' Y	
126	RDG5927ZG	GEAR		211-1	RMB0310	SPRING	
127	1DM0037ZA	FLYWHEEL ASS' Y		212	1UB0087ZB	PINCH ROLLER ASS' Y	
127-1	RNW139ZA	WASHER		212-1	RUW140ZC	SPRING	
128	1DM0038ZB	FLYWHEEL ASS' Y		214	RNL1ZD	ARM	
128-1	RNW138ZA	WASHER		215	RUB503ZD	LEVER	
129	1DG0006ZB	GEAR		216	RFKRAA0320	CHASSIS ASS' Y	
130	RUB513ZD	LEVER		217	RUW142ZA	SPRING	
131	1UB0091ZA	LEVER		218	RUD105ZA	SPRING	
131-1	RUW146ZA	SPRING		220	RUW139ZA	SPRING	
132	1DR0011ZB	PULLEY ASS' Y		221	RFKPA0309	MOTOR ASS' Y	
133	RDV90ZB	BELT		222	1UE0015ZA	PLUNGER ASS' Y	
134	RDG5769ZA	GEAR		223	RUB428ZE	SHAFT	
135	RUQ111ZB	SPRING		224	RUL1030YA	PLATE	
136	RUW145ZA	SPRING		225	RMD5014ZC	SPACER	
137	1UB0090ZA	ROD ASS' Y		226	RDG5927ZG	GEAR	
137-1	RUB512ZB	ROD		227	1DM0037ZB	FLYWHEEL ASS' Y	
138	RDG5773ZB	GEAR		227-1	RNW139ZA	WASHER	
139	RUQ112ZA	SPRING		228	1DM0038ZB	FLYWHEEL ASS' Y	
140	RJS609ZC	SPRING		228A	RNW138ZA	WASHER	

Ref. No.	Part No.	Part Name & Description	Remarks	Ref. No.	Part No.	Part Name & Description	Remarks
229	1DG0006ZB	GEAR ASS' Y		118	RMR0334	MAGNET HOLDER	
230	RUB513ZD	LEVER		119	FXQ0123	DISK HOLDER	
231	1UB0091ZA	LEVER ASS' Y		120	RFKRLPG440-K	DRIVE RACK ASS' Y	
231-1	RUW146ZA	LEVER		121	RGQ0088-K	DISC TRAY	
232	1DR0011ZB	PULLEY ASS' Y		122	RHD20009-1	SCREW	
233	RDV90ZB	BELT		123	XTB3+25GFZ	SCREW	
234	RDG5769ZA	GEAR		124	XTN26+6G	SCREW	
235	RUQ111ZB	SPRING		125	XTN3+8JFZ	SCREW	
236	RUW145ZA	SPRING		126	RAED111Z	TRAVERSE UNIT ASS' Y	
237	1UB0090ZA	ROD ASS' Y		126A	SHGD112	RUBBER (A)	
237-1	RUB512ZB	ROD		126B	SHGD113-1	RUBBER (B)	
238	RDG5773ZB	GEAR		126C	RDV0023	BELT	
239	RUQ112ZA	SPRING		126D	SHSD38	SCREW	
240	RJS609ZC	SPRING		127	RMD109	SPRING	
241	RUB514ZC	LEVER		128	RMS0123-1	PIN (A)	
242	RUW147ZA	SPRING		129	RMS0350	PIN (B)	
243	RUB515ZA	LEVER		130	RMR0533-K	TRAVERSE CHASSIS	
244	RUB509ZA	LEVER		131	XTV2+6G	SCREW	
245	RDV108ZA	BELT					
249	RMG0102-1	RUBBER					
250	RNL180ZB	LEVER					
251	REX0294	CABLE ASS' Y					
261	XTW2+6L	SCREW					
263	XTN26+7J	SCREW					
264	RHE5203ZA	SCREW					
265	XTW2+8S	SCREW					
266	XYC2+JF16	SCREW					
267	RHD26002	SCREW					
268	RJS10T7ZA	CONNECTOR(J971)					
		LOADING PARTS					
101	RFKJLPG440BK	CHASSIS ASS' Y					
101A	RDG0142	LOADING GEAR					
101B	RDG0193	LOADING GEAR					
101C	RDP0041	PULLEY					
102	REM0019	MOTOR ASS' Y					
103	RMA0339	HOLDER					
104	RME0063	LOCK LEVER SPRING					
105	RME0087	SPRING					
106	RMG0158	BELT					
107	RML0177	CONVERSION LEVER					
108	RML0178-1	LOCK LEVER					
109	RMMD059-1	SLIDE PLATE (2)					
110	RMMD079	SLIDE PLATE (1)					
111	XTN26+6G	SCREW					
112	XYN2+F6FZ	SCREW					
113	RDB0036	GUIDE HOLDER					
114	RHD20010	SCREW					
115	RML0046	GUIDE SHAFT					
116	RHM245ZA	MAGNET					
117	RMA0327-1	DISK CLAMPER					

# LOADING UNIT PARTS LOCATION

**Note:**

When changing mechanism parts, apply the specified grease to areas marked "XX" as shown in the drawing.

Ref No.	Part No.
①	SZZ0L30

